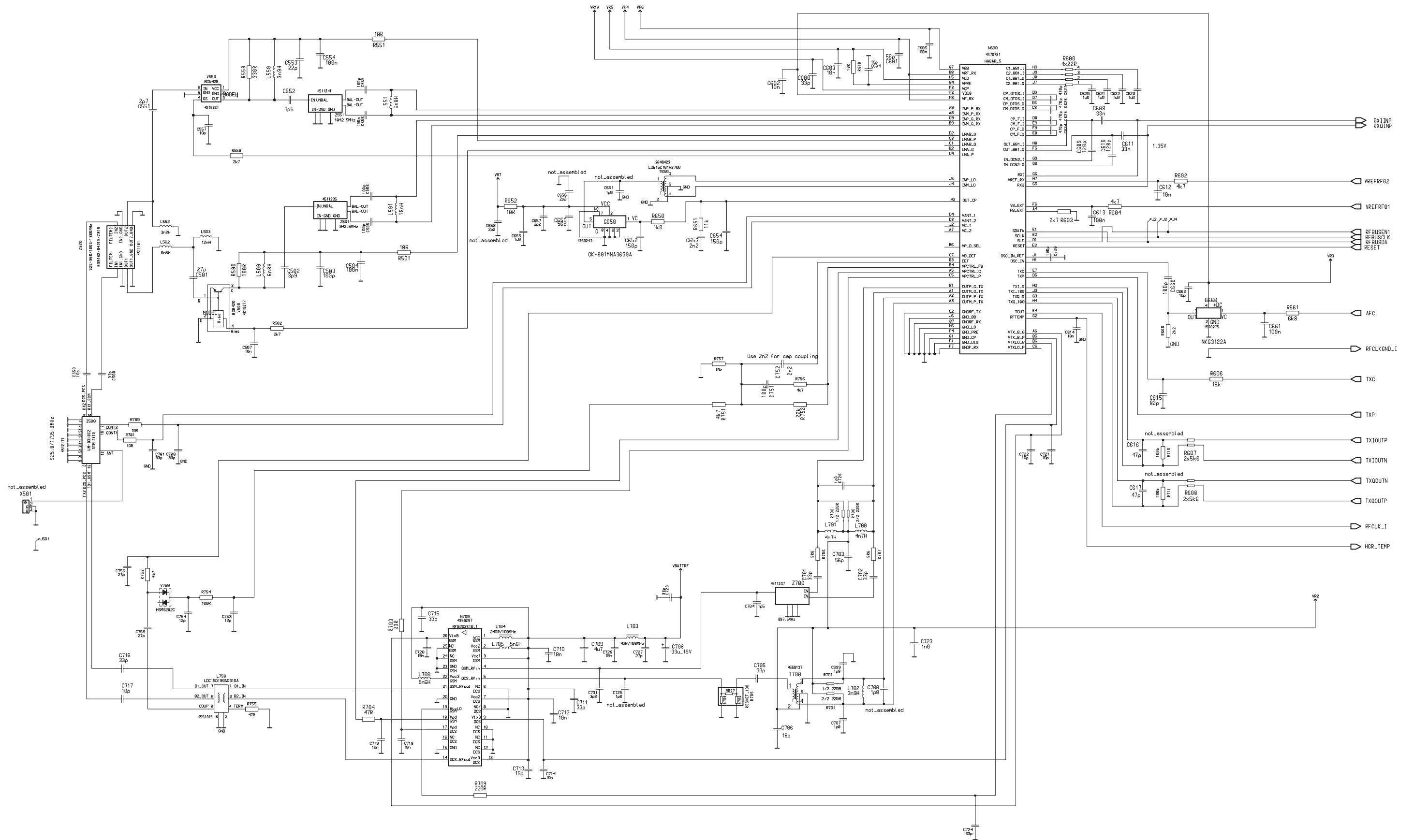
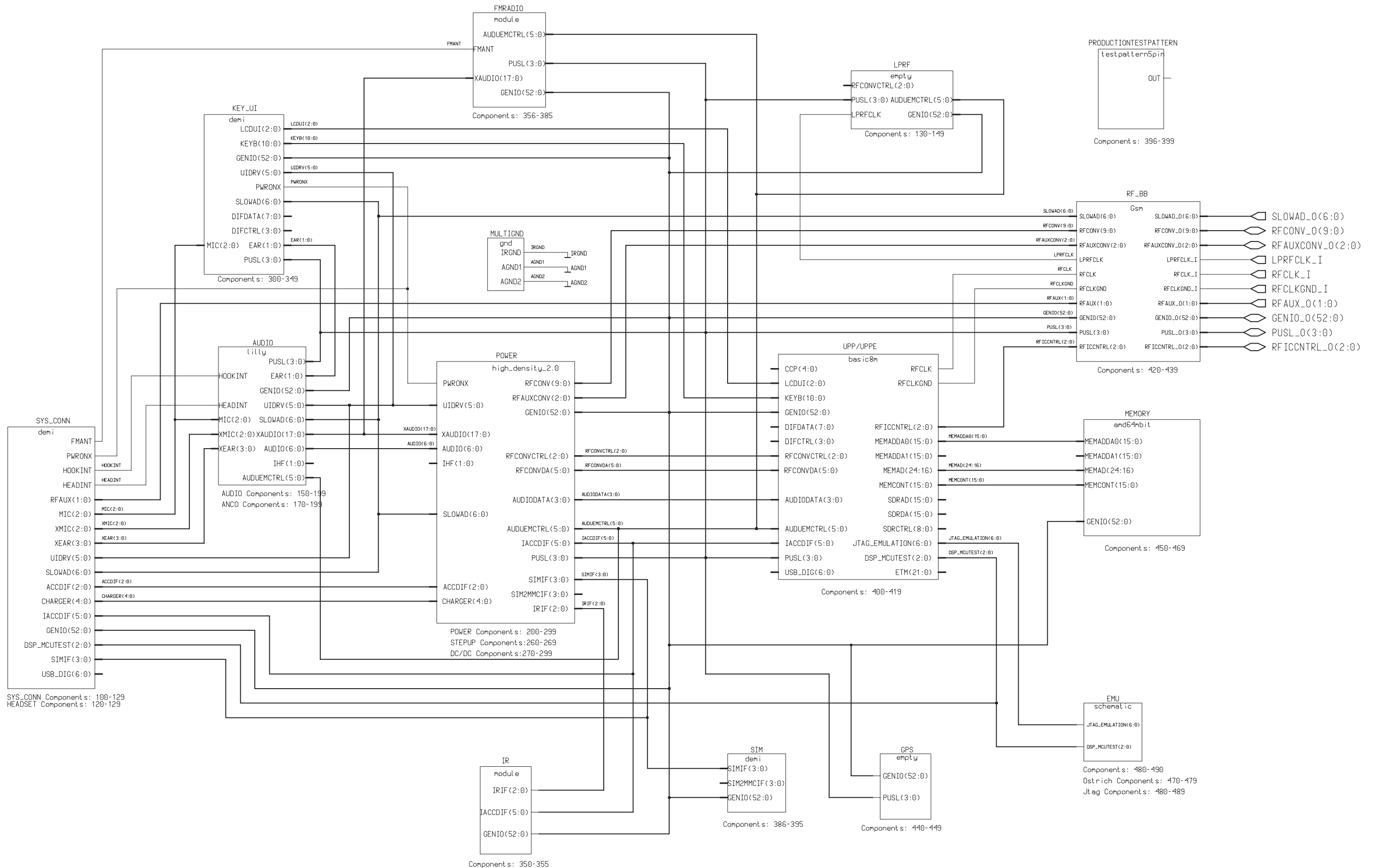


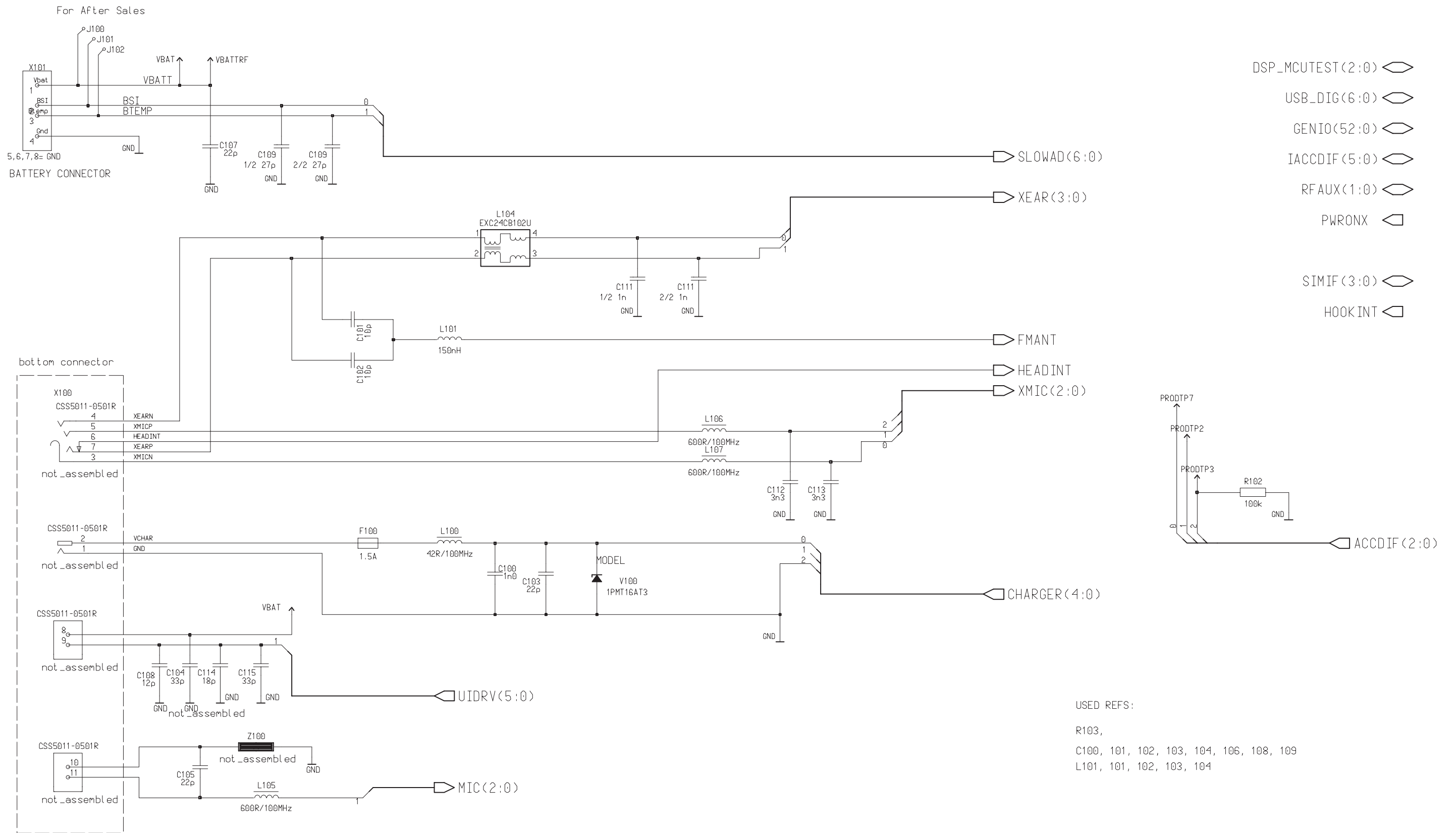
RF (Version 1.0 Edit 180) for layout version 17



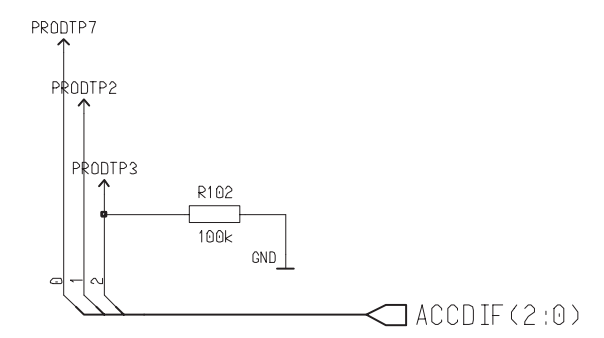
BB Connections (Version 0.0 Edit 113) for layout version 17



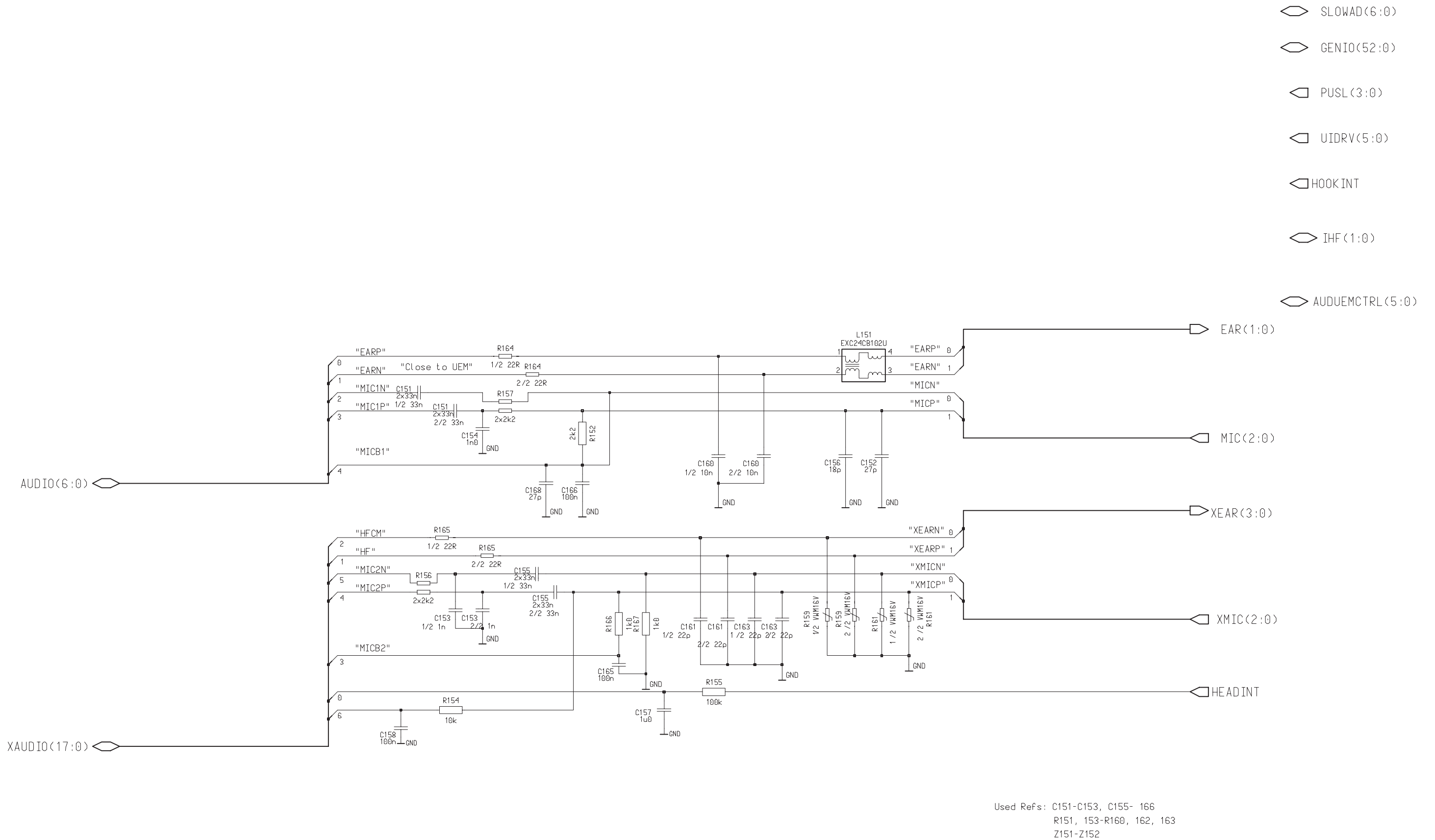
System Connector (Version 1.3 Edit 162) for layout version 17



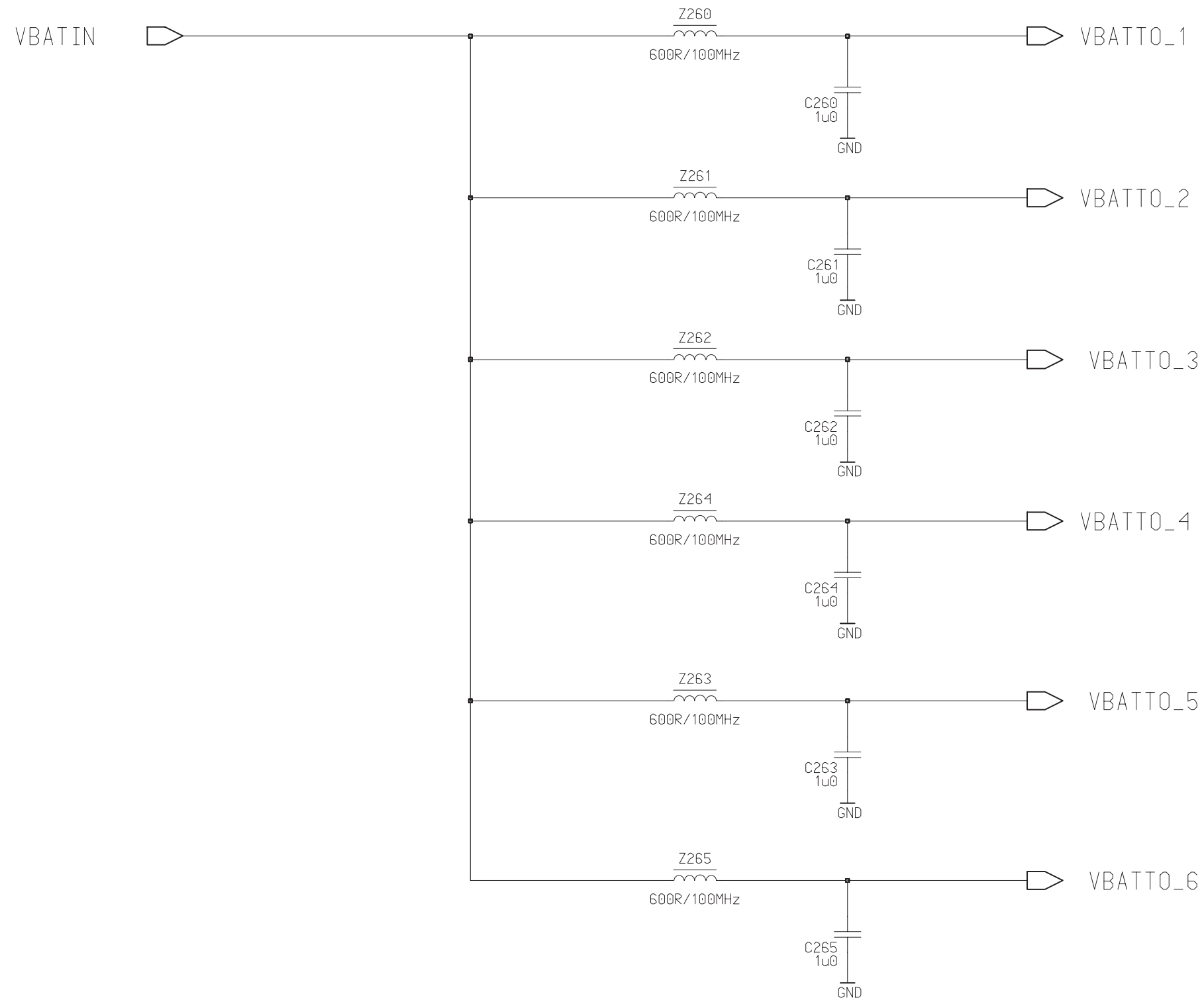
- DSP_MCUTEST (2:0)
- USB_DIG (6:0)
- GENIO (52:0)
- IACCDIF (5:0)
- RFAUX (1:0)
- PWRONX
- SIMIF (3:0)
- HOOKINT



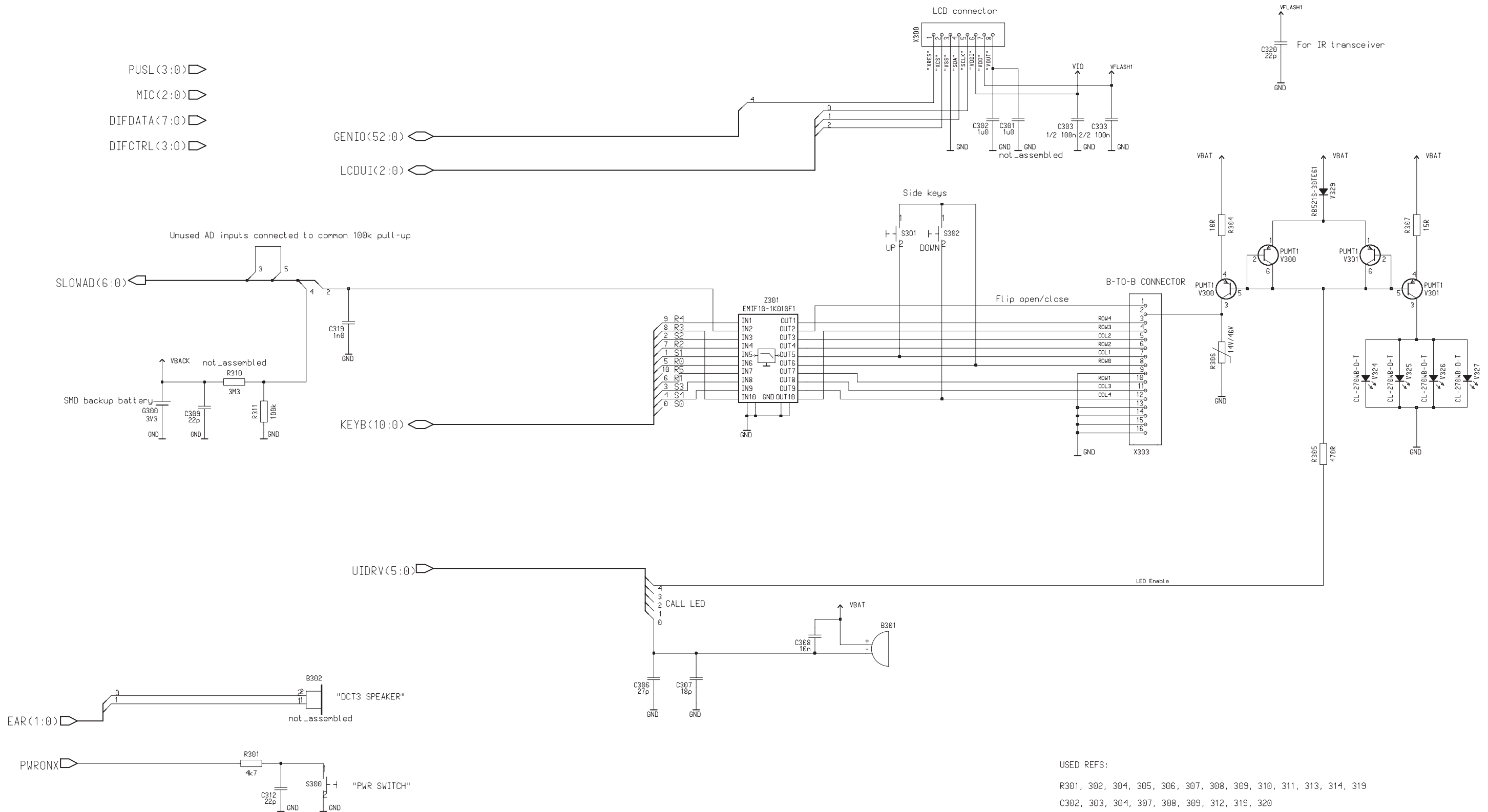
Audio Interface (Version 1.3 Edit 80) for layout version 17



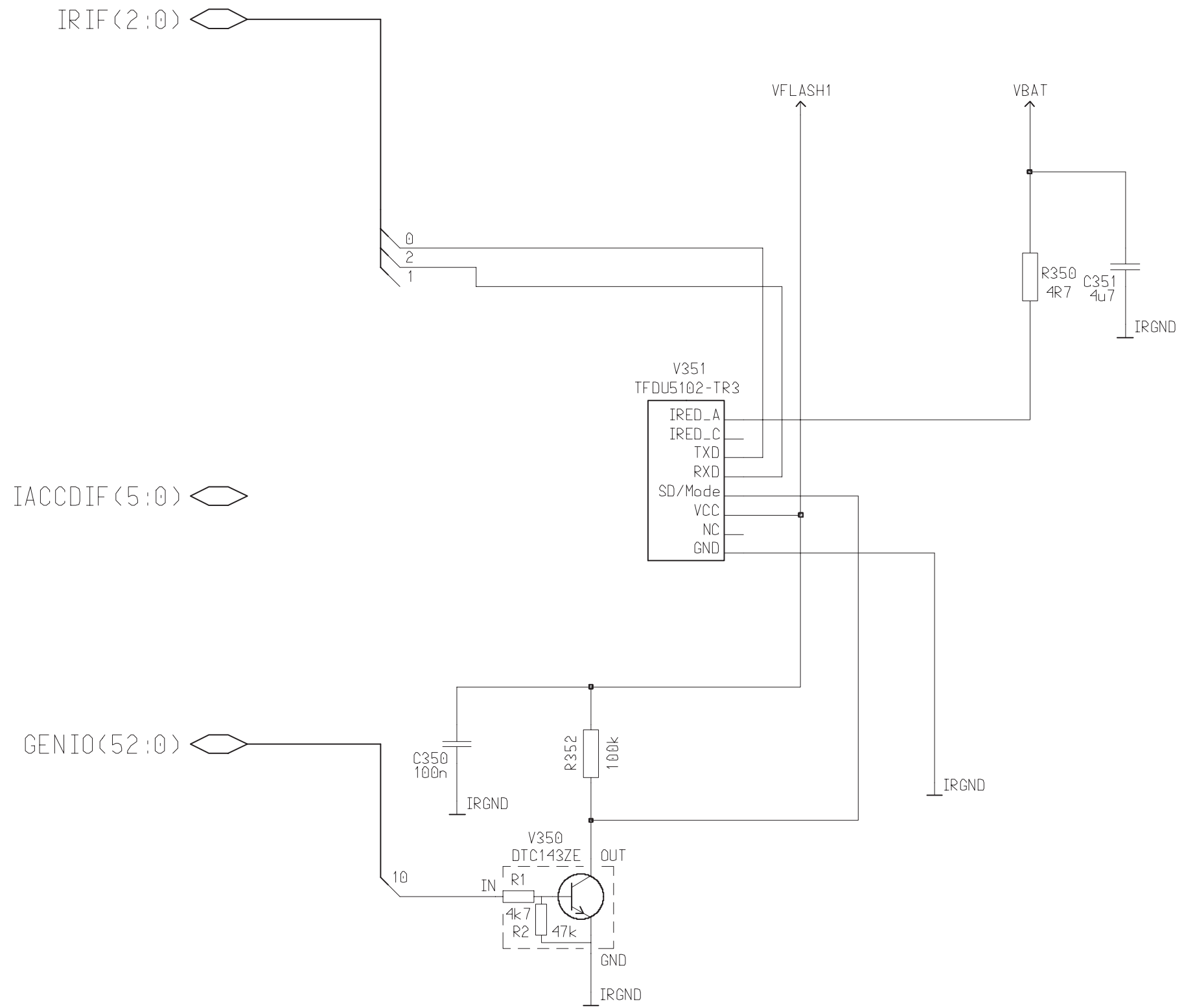
Light Filtering (Version 2.0 Edit 34) for layout version 17



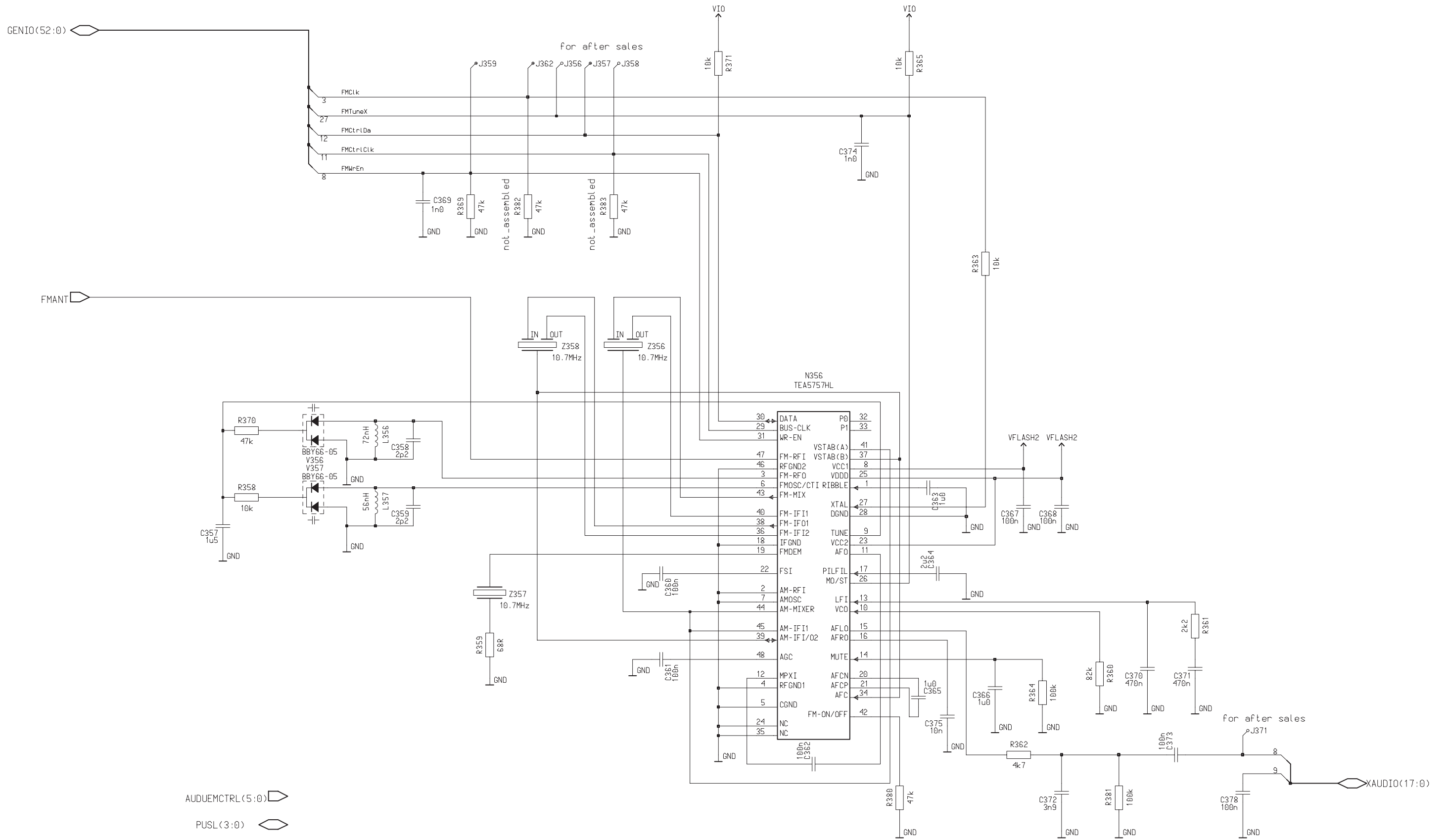
Display and Keyboard Interface (Version 1.3 Edit 210) for layout version 17



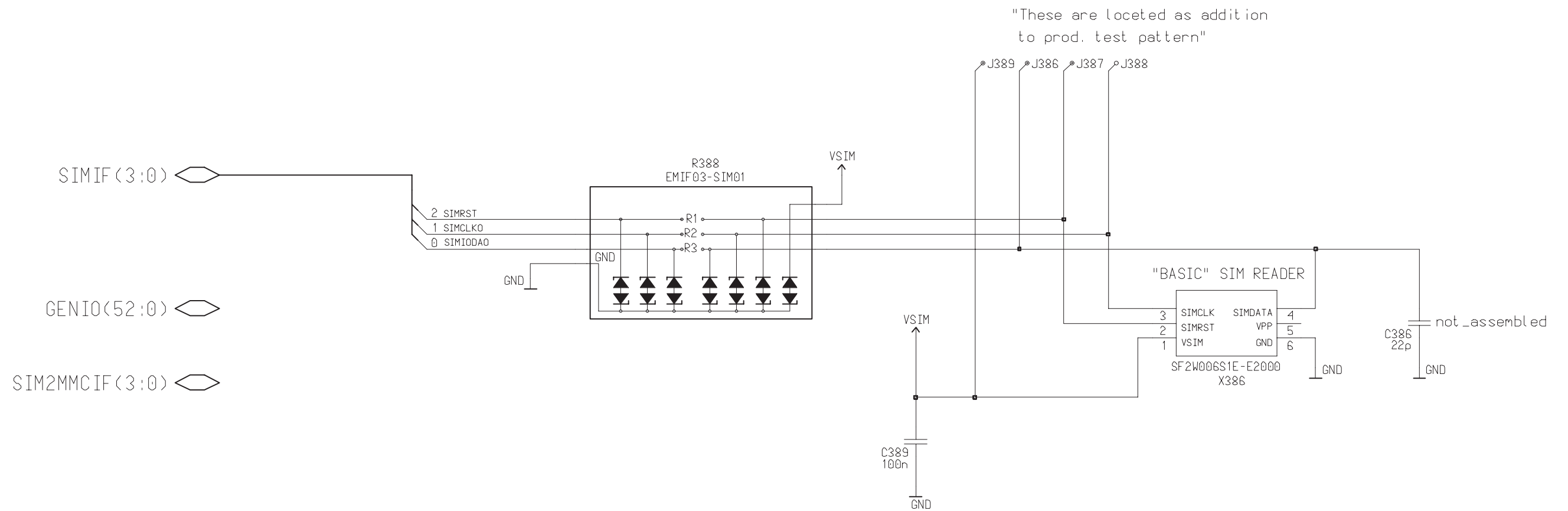
Infrared Module (Version 2.0 Edit 38) for layout version 17



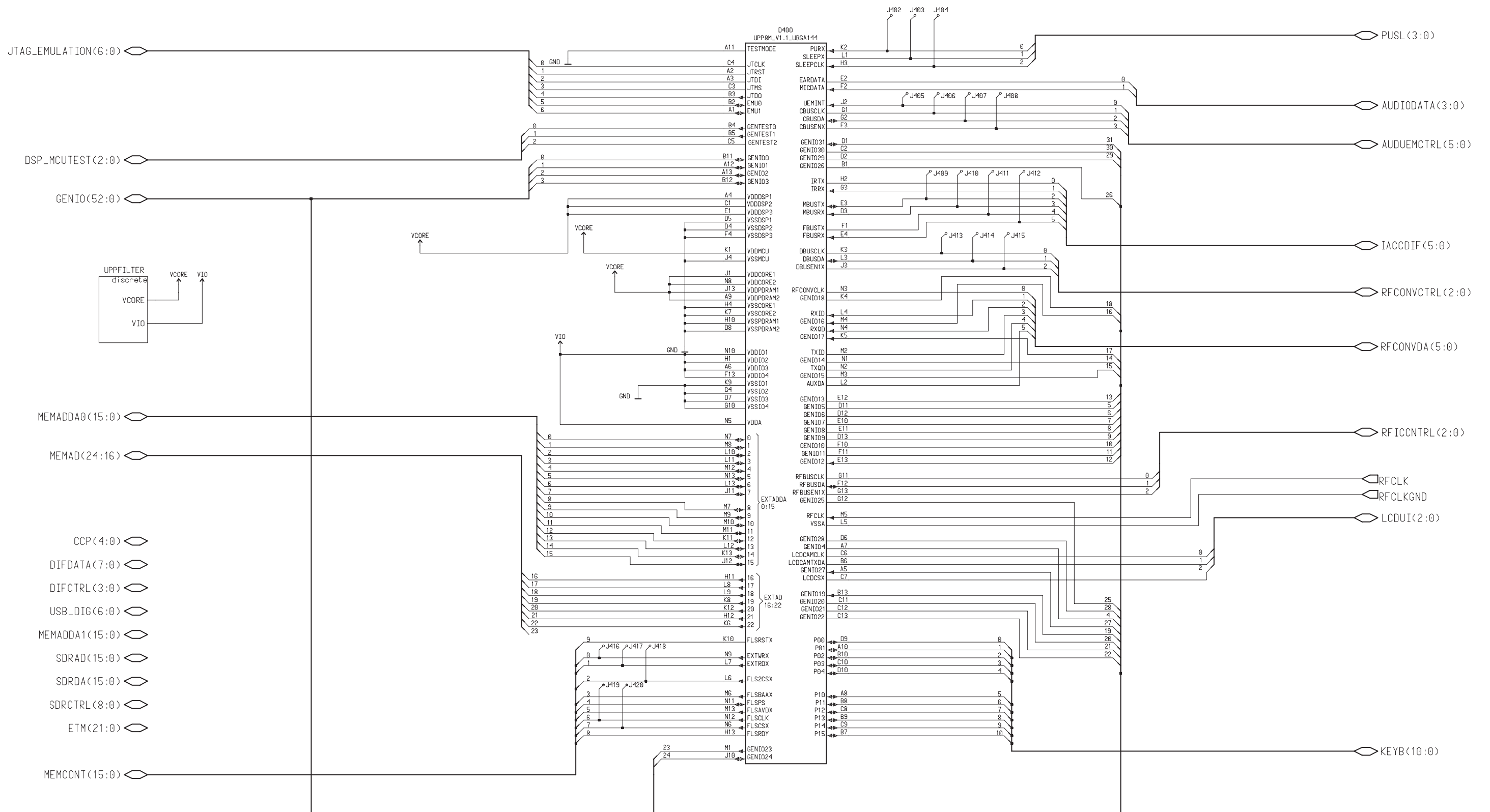
FM Radio (Version 1.3 Edit 110) for layout version 17



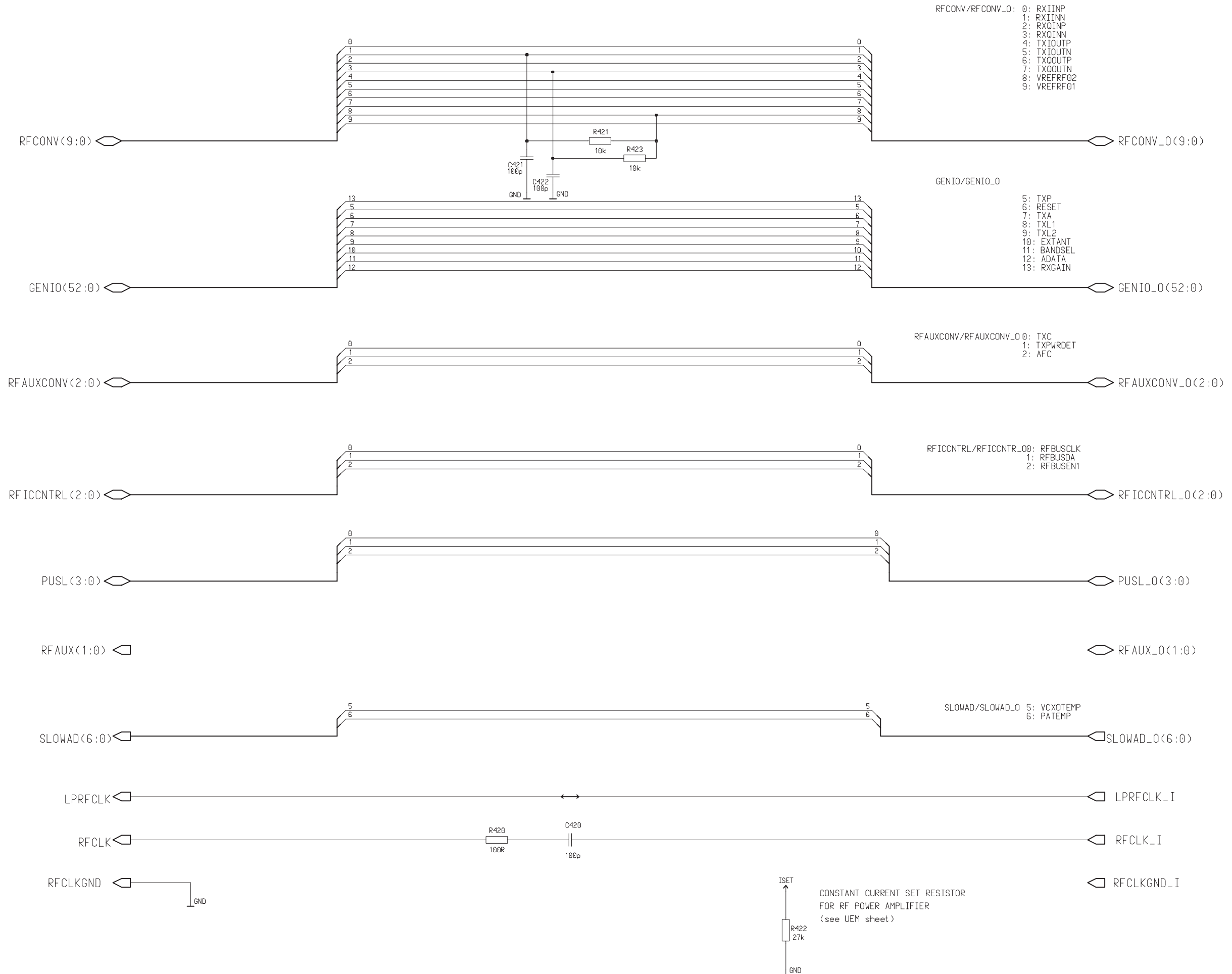
SIM Reader (Version 1.3 Edit 48) for layout version 17



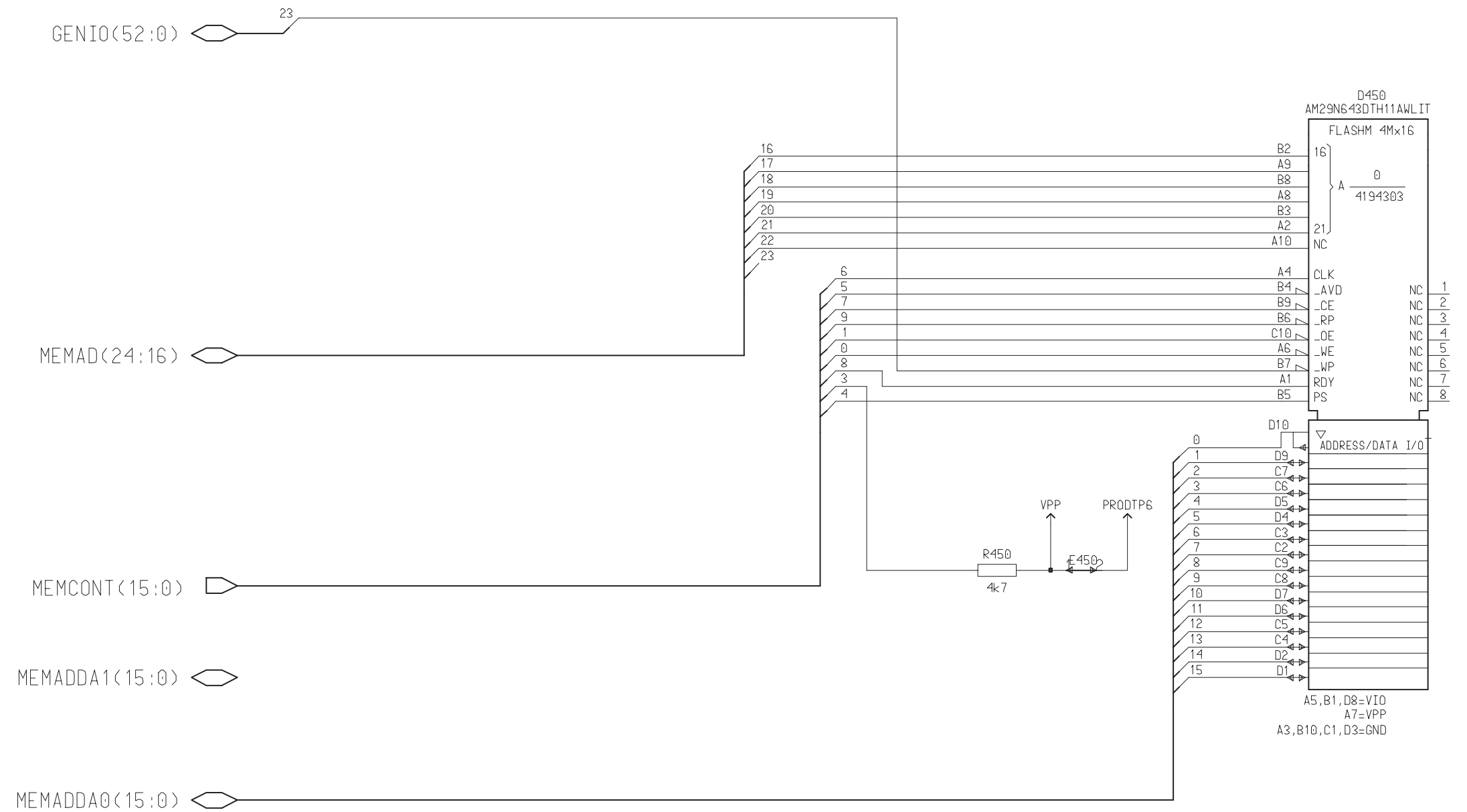
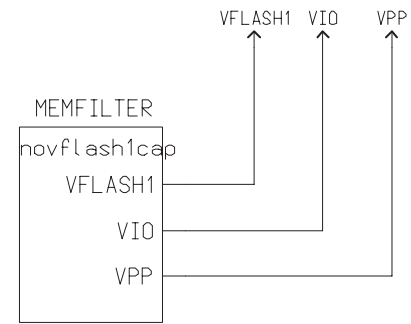
UPP and decoupling capacitors (Version 2.0 Edit 91) for layout version 17



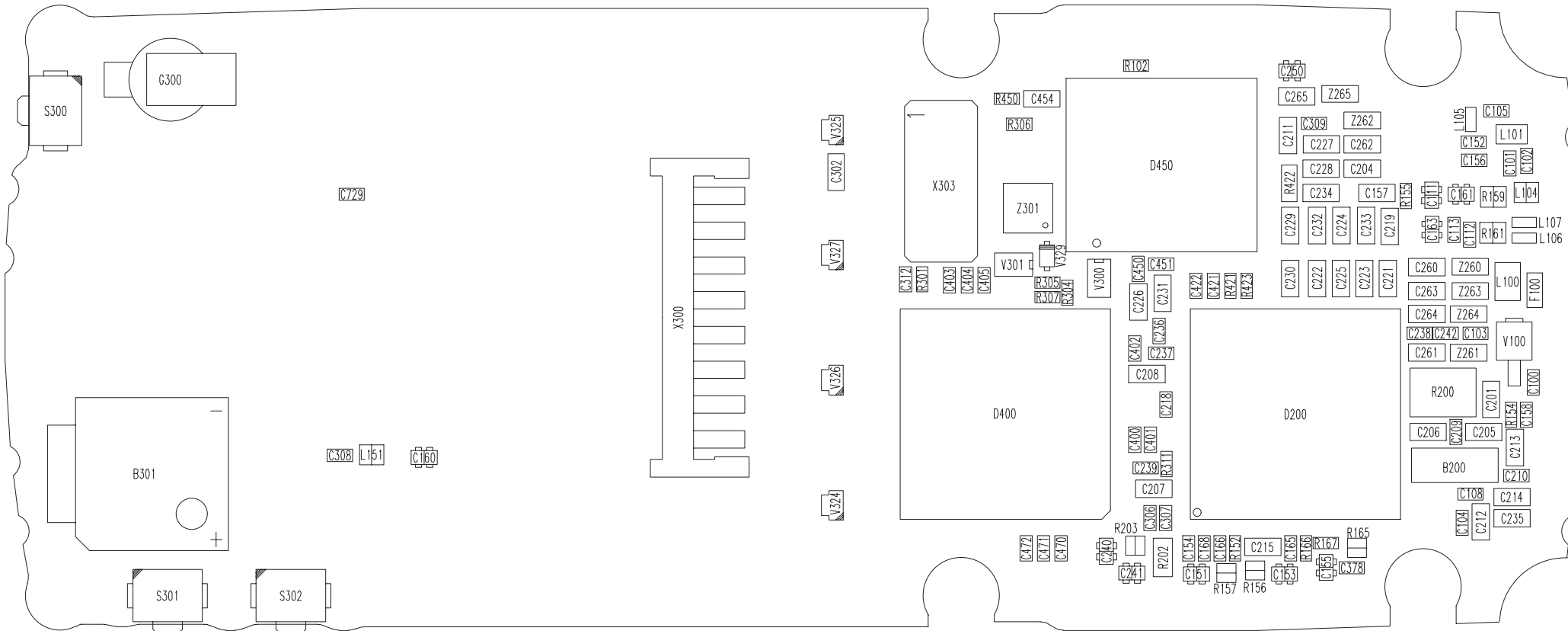
GSM RF – BB Interface (Version 1.3 Edit 35) for layout version 17



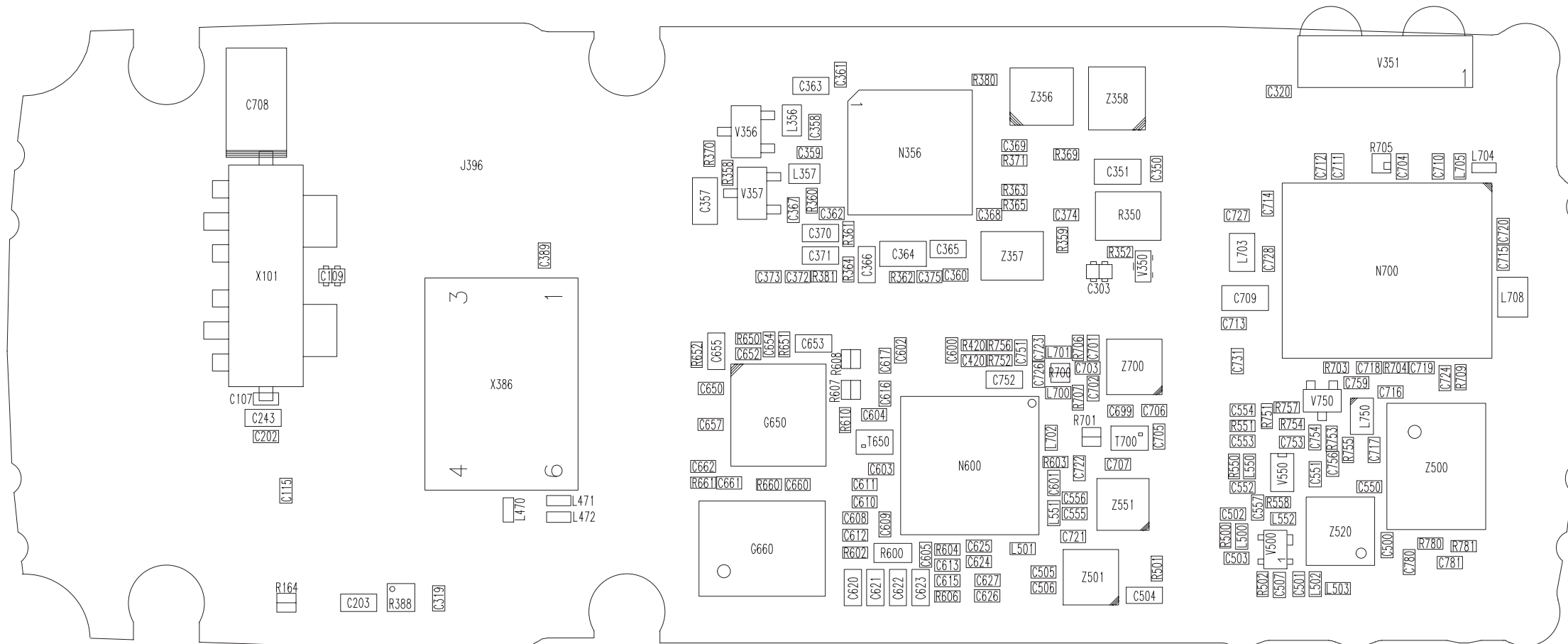
Flash Memory (Version 2.0 Edit 32) for layout version 17



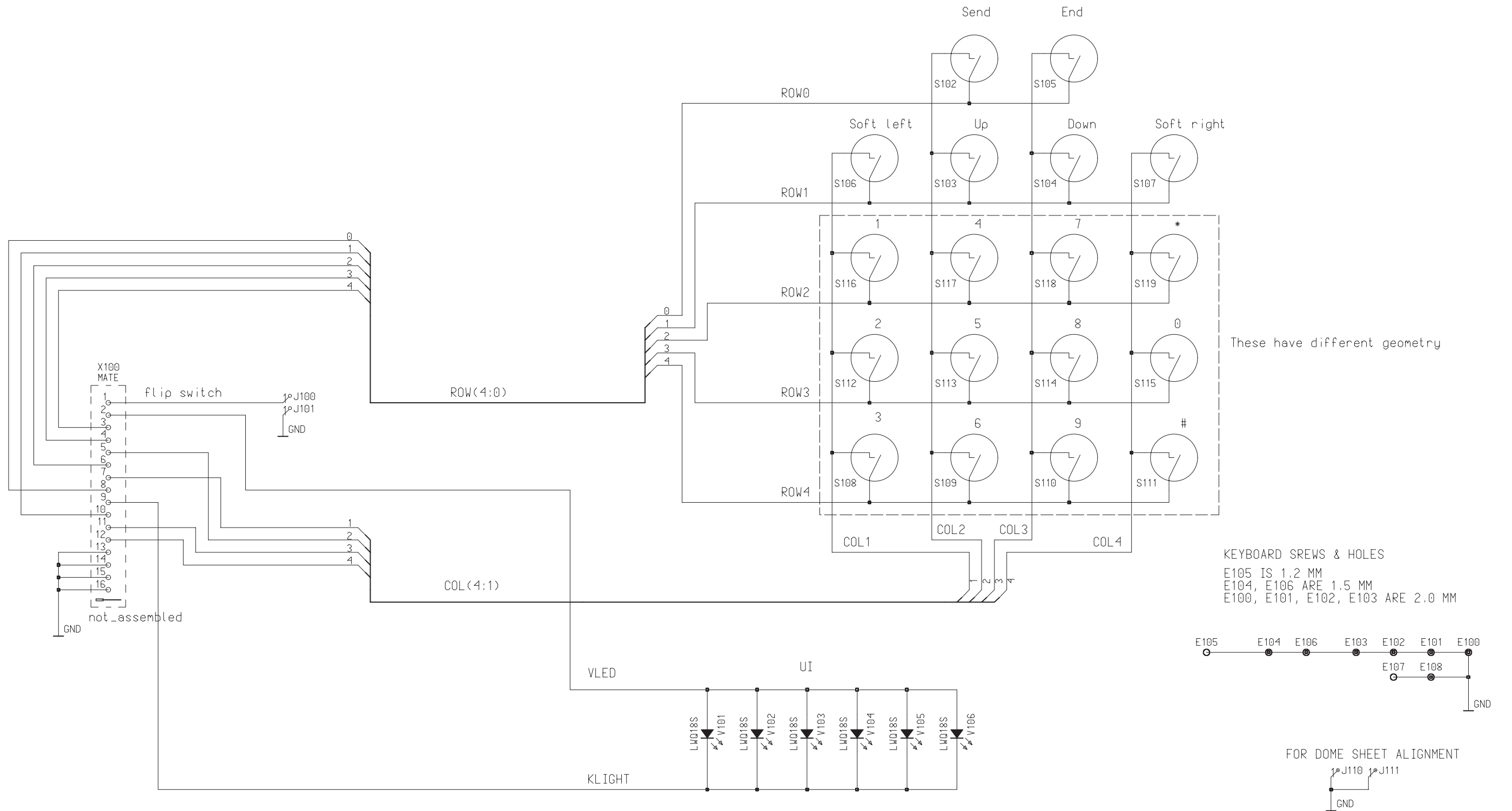
Layout Diagram of LA5 – Top (Version 17)



Layout Diagram of LA5 – Bottom (Version 17)



UI Board – LK5 for version 11



Layout Diagram – LK5 for version 11

